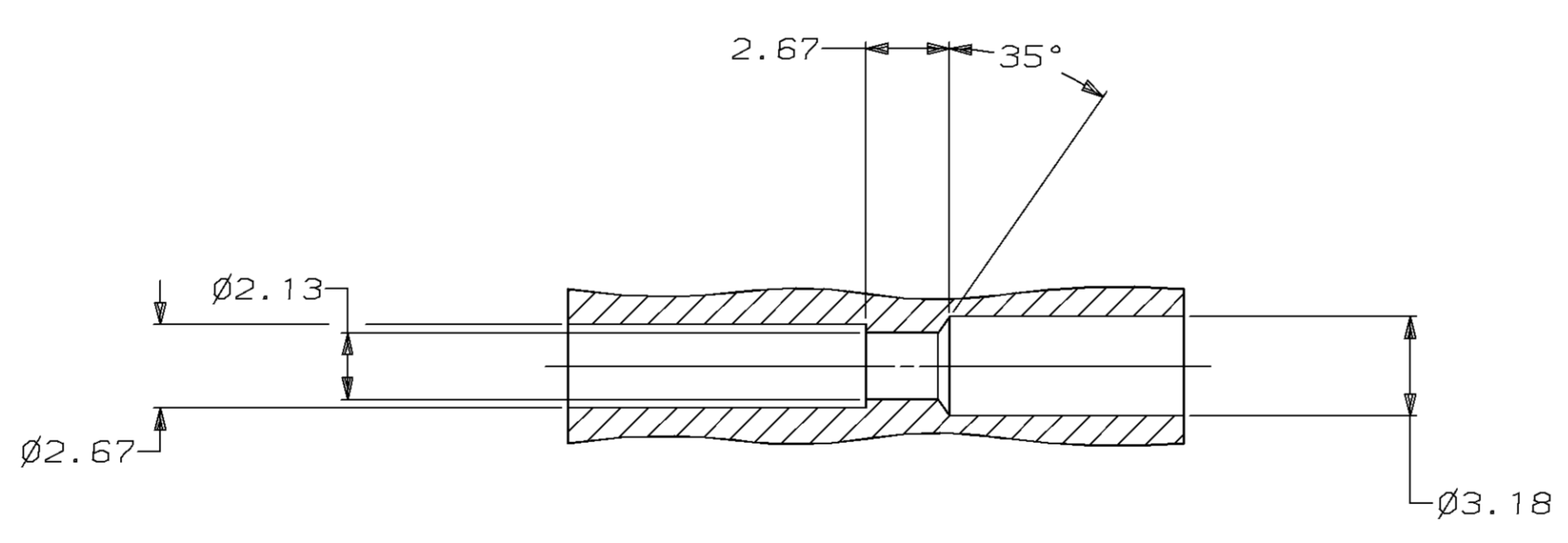
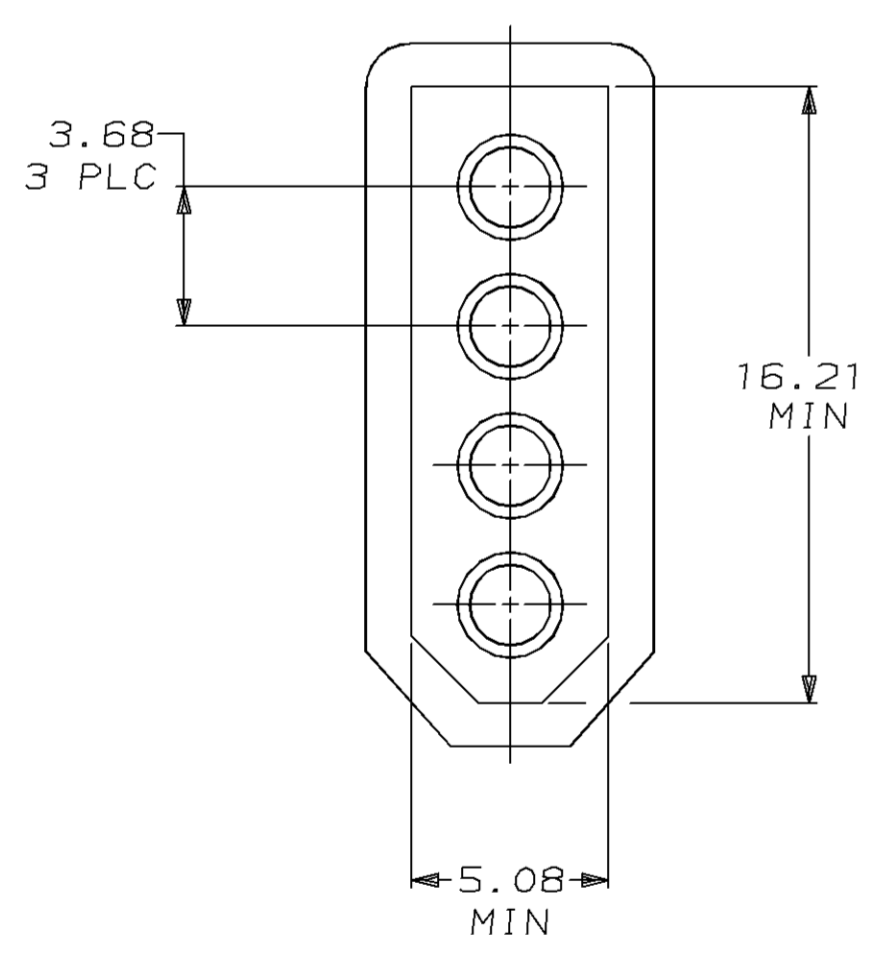
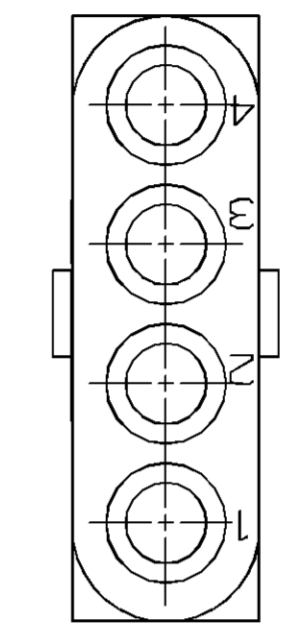
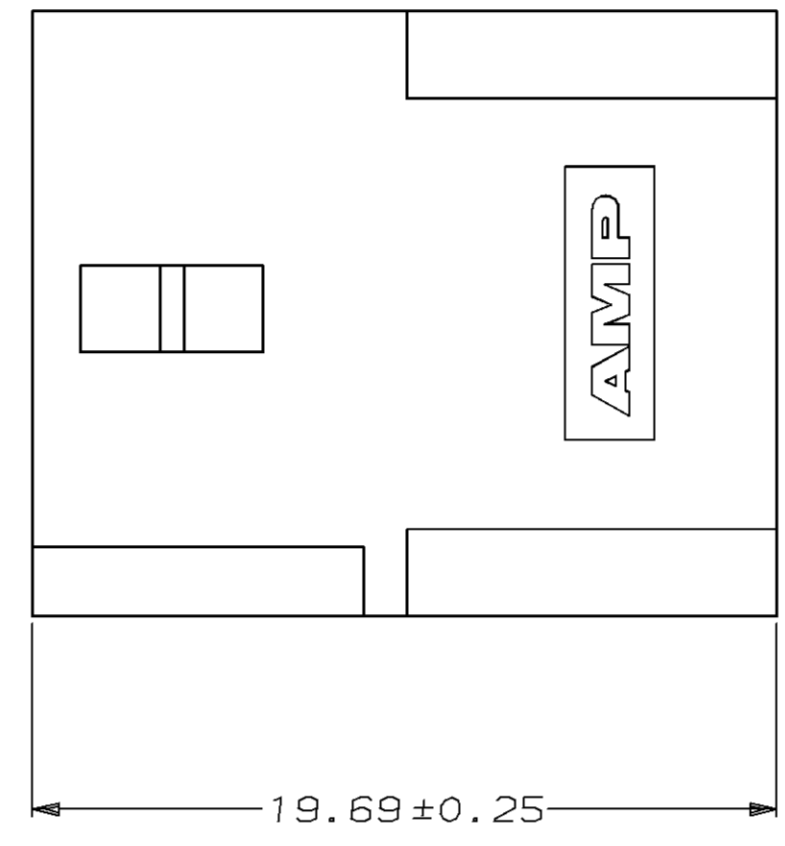
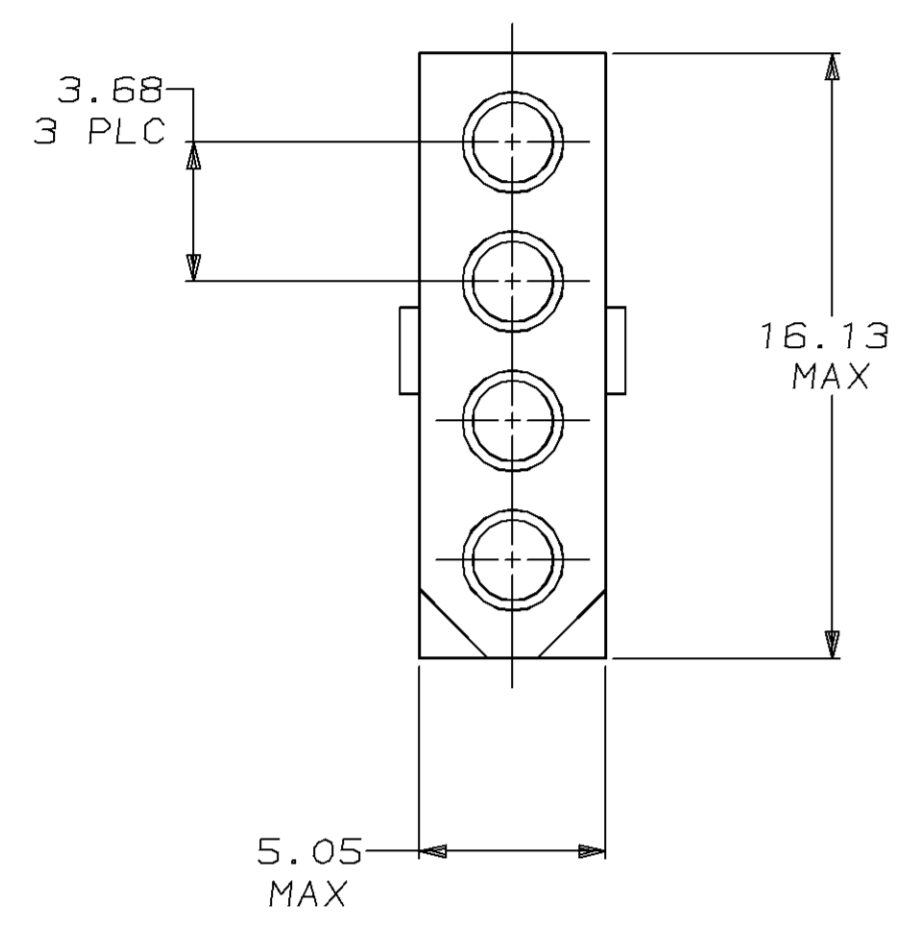
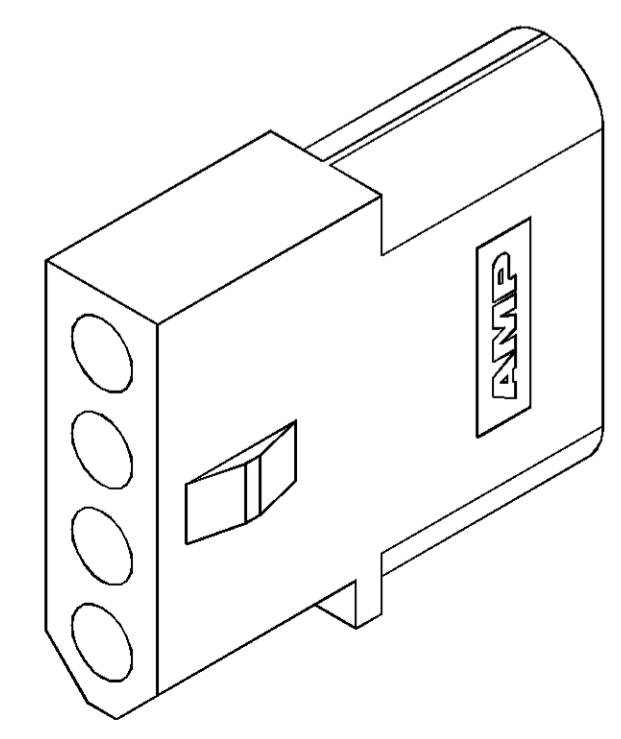


LOC		DIST		P		F		ZONE		LTR		REVISIONS		DATE	APPD
CM	53												REV PER EC 0730-0221-95	11-20-95	JH



MATING CONNECTOR INTERFACE

TYPICAL RECEPTACLE CAVITY SECTION
(DIMENSIONS REFERENCE ONLY)



3-DIMENSIONAL MODEL
NTS

3.18	.125	19.69	.775
2.67	.105	16.21	.638
2.13	.084	16.13	.635
1.57	.062	5.08	.200
0.25	.010	5.05	.199
0.13	.005	3.68	.145
MM	IN	MM	IN

CONVERSION TABLE



THIS DRAWING IS A CONTROLLED DOCUMENT FOR AMP INCORPORATED. IT IS SUBJECT TO CHANGE AND THE CONTROLLING ENGINEERING ORGANIZATION SHOULD BE CONTACTED FOR THE LATEST REVISION.

DO NOT SCALE PRINT. UNLESS SPECIFIED DIMENSIONS IN mm [INCHES]		DR 11-4-93 K. WHITAKER		770274-1 PART NO	
TOLERANCES ON:		CHK 11-4-93 R. SWING <td colspan="2">AMP Incorporated Harrisburg, PA 17105-3608</td>		AMP Incorporated Harrisburg, PA 17105-3608	
2 PLC DEC ± 0.13		APPD 11-4-93 C. CASH <td colspan="2">NAME</td>		NAME	
3 PLC DEC ± -		APPD 11-4-93 C. CASH <td colspan="2">RECEPTACLE, 4 CIRCUIT, .062 PIN AND SOCKET</td>		RECEPTACLE, 4 CIRCUIT, .062 PIN AND SOCKET	
ANGLES ± 1°0'		PRODUCT SPEC -		SIZE	
MATERIAL		APPLICATION SPEC -		D 00779	
NYLON, UL 94V-2 NATURAL		WEIGHT -		DRAWING NO	
FINISH -		SCALE 5:1		C-770274	
				SHEET 1 OF 1	